

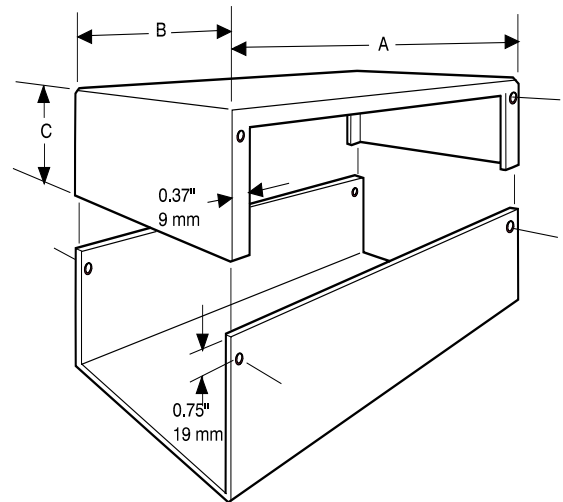
Aluminum & Steel Utility (1411 & 1412 Series)



KEY FEATURES

- .040" (1 mm) thick aluminum or 20 gauge steel
- Four self-tapping screws included.
- Natural aluminum or ASA 61 grey powder paint finish (outside only).
- Natural aluminum version is protected through manufacturing and shipping with a plastic skin cover to ensure a high quality finish.
- Replacement screws **1421J6** (Pkg. 6, 6-32 Philips head screws).

Part Number			Units	Dimensions		
ASA 61 Grey Aluminum	Natural Aluminum	ASA 61 Grey Steel		A	B	C
1411B	1411BU	-	inch mm	2.7 69	2.2 56	1.6 41
1411C	1411CU	-	inch mm	3.2 81	2.2 56	1.1 28
1411D	1411DU	-	inch mm	3.2 81	2.2 56	1.6 41
1411G	1411GU	-	inch mm	4.0 102	2.2 56	1.6 41
1411H	1411HU	-	inch mm	4.0 102	2.2 56	2.2 56
1411F	1411FU	-	inch mm	4.0 102	2.2 56	3.0 76
1411J	1411JU	1412J	inch mm	4.0 102	4.0 102	2.0 51
1411K	1411KU	-	inch mm	5.0 127	2.2 56	2.2 56
1411N	1411NU	-	inch mm	5.0 127	3.0 76	2.2 56
1411L	1411LU	-	inch mm	5.0 127	4.0 102	3.0 76
1411M	1411MU	-	inch mm	6.0 152	3.0 76	3.0 76
1411PP	1411PPU	1412PP	inch mm	6.0 152	4.0 76	2.0 51
1411P	1411PU	-	inch mm	6.0 152	5.0 127	4.0 102
1411Q	1411QU	-	inch mm	7.0 178	5.0 127	3.0 76
1411SS	1411SSU	1412SS	inch mm	8.0 203	4.0 102	2.0 51
1411S	1411SU	-	inch mm	8.0 203	4.0 102	3.0 76
1411RR	1411RRU	1412RR	inch mm	8.0 203	6.0 152	2.0 51
1411R	1411RU	-	inch mm	8.0 203	6.0 152	3.5 89
1411T	1411TU	-	inch mm	10.0 254	2.2 56	1.6 41
1411TT	1411TTU	1412TT	inch mm	10.0 254	6.0 152	2.0 51
1411U	1411UU	-	inch mm	10.0 254	6.0 152	3.5 89
1411W	1411WU	-	inch mm	12.0 305	3.0 76	2.2 56
1411X	1411XU	1412X	inch mm	12.0 305	7.0 178	4.0 102
1411V	1411VU	1412V	inch mm	12.0 305	8.0 203	3.0 76
1411Y	1411YU	1412Y	inch mm	16.0 406	8.0 203	3.0 76
1411Z	1411ZU	-	inch mm	17.0 432	5.0 127	4.0 102



Painted aluminum version...

Metal



CANADA
Guelph, Ontario (519) 822-2960
St. Laurent, Quebec (514) 343-9010
USA
Cheektowaga, NY (716) 651-0086

www.hammondmfg.com

EUROPE
Basingstoke, UK +44 1256 812812

AUSTRALASIA
Queenstown, SA, Australia +61 8 8240 2244